

TS 1000 C

101833-04



GEZE



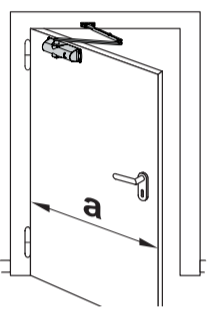
i

CE	GEZE GmbH P.O. Box 1363 71226 Leonberg	06
	EN 1154	4 8 3/2 1 1 4
0672-CPD-0119		
Substanz: -----		

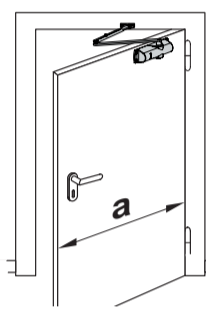
A

B

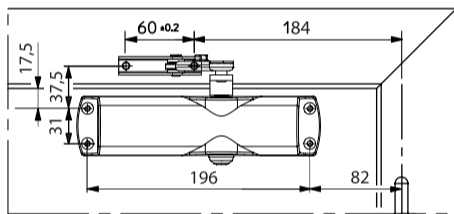
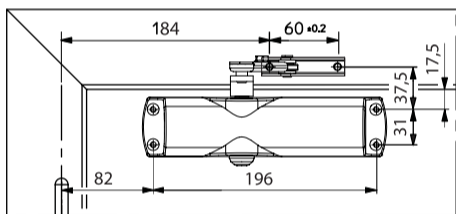
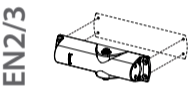
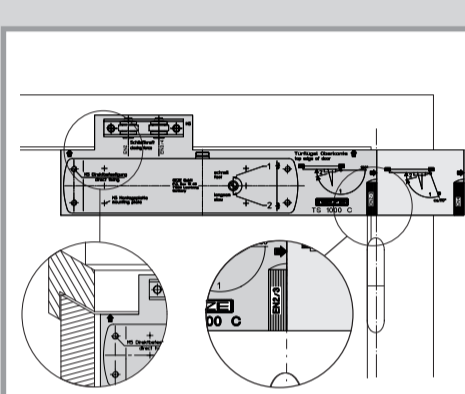
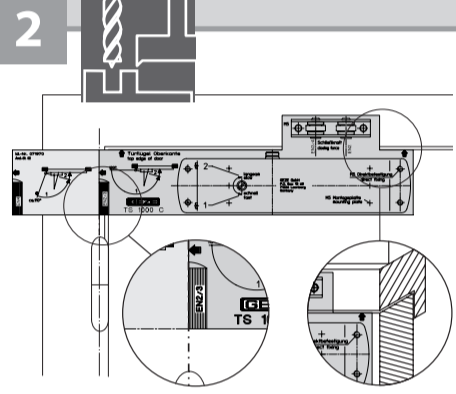
EN2/3
a ≤ 950 mm



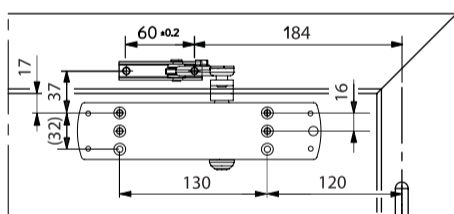
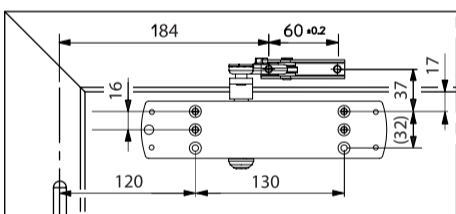
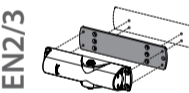
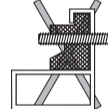
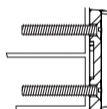
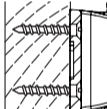
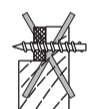
EN2/3
a ≤ 950 mm



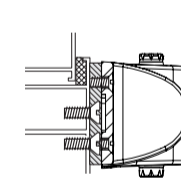
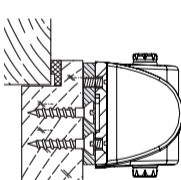
2



4x
5x25
4x
M5x18

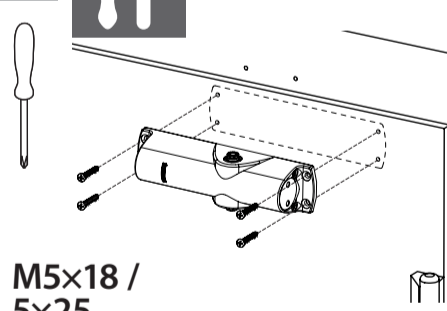


4x
5x35
4x
M5x20

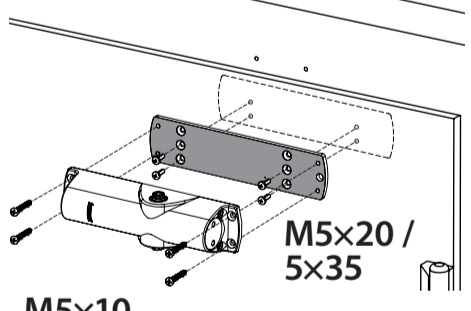


4x
M5x10

3

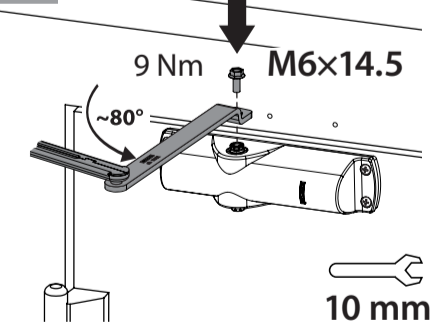


M5x18 /
5x25



M5x10
M5x20 /
5x35

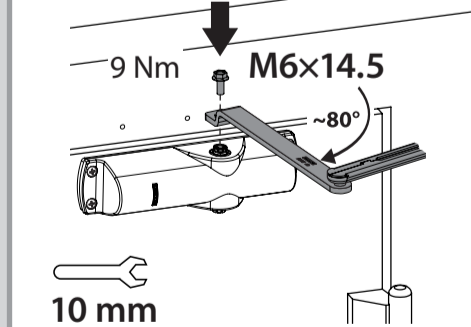
4



9 Nm M6x14.5

~80°

10 mm



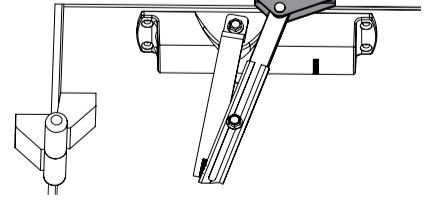
9 Nm M6x14.5

~80°

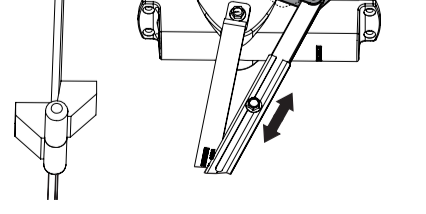
10 mm

5

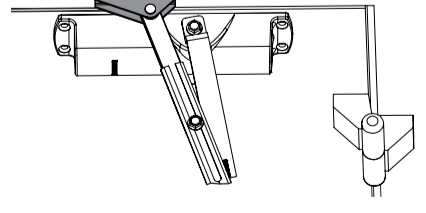
a = 850 - 950 mm



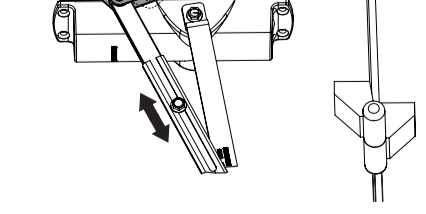
a < 850 mm



a = 850 - 950 mm

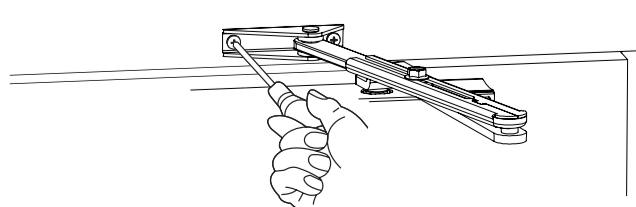


a < 850 mm

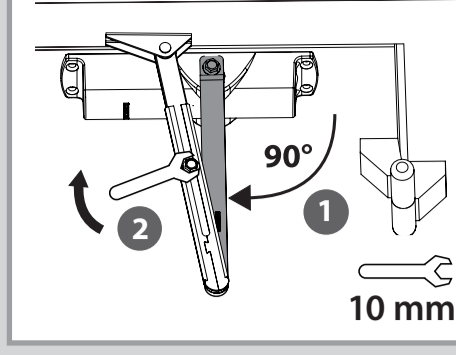
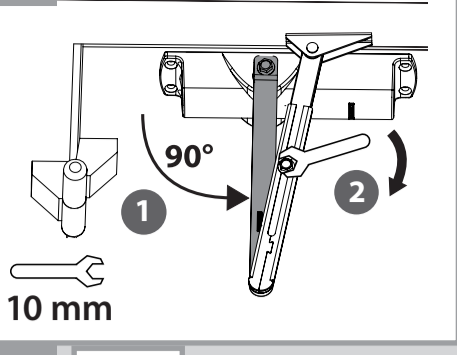


6

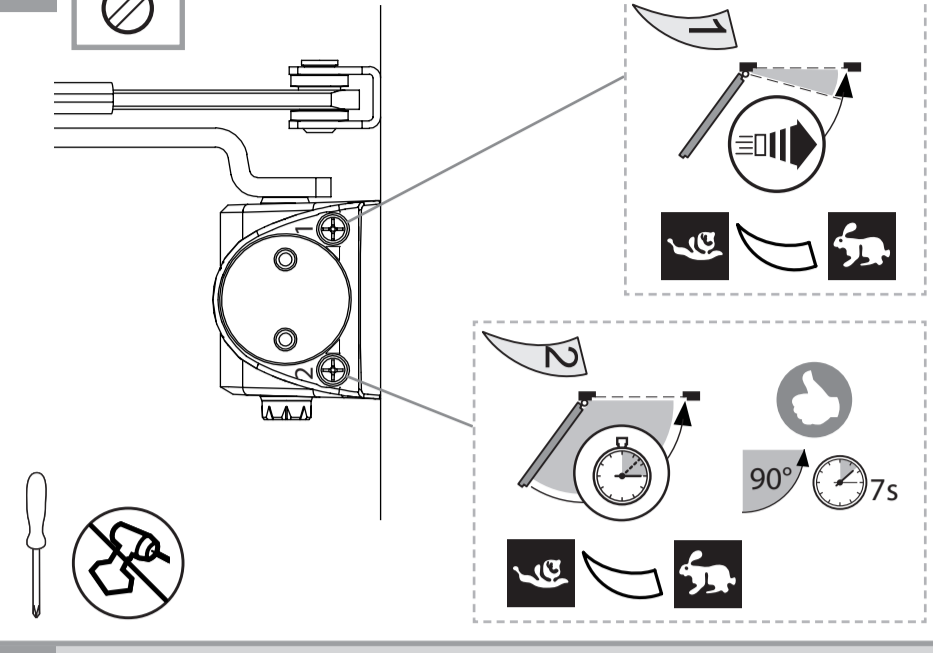
2x
5x20
2x
M5x16



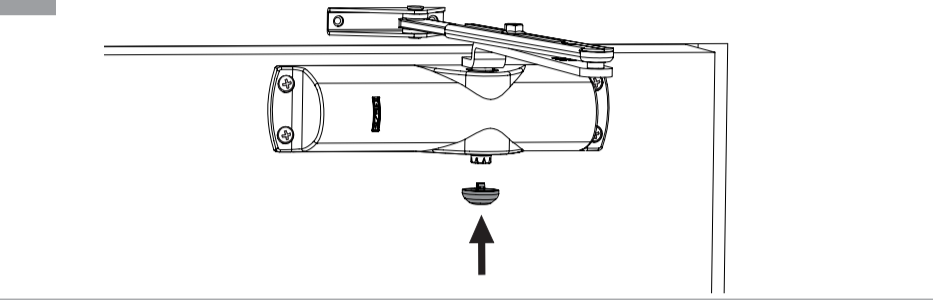
7



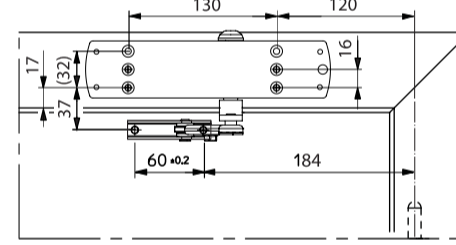
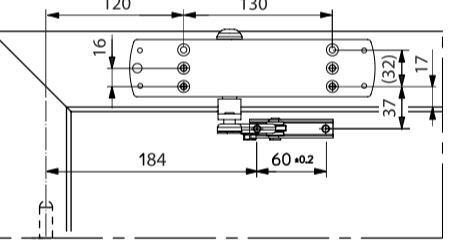
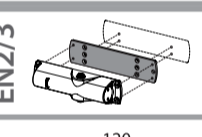
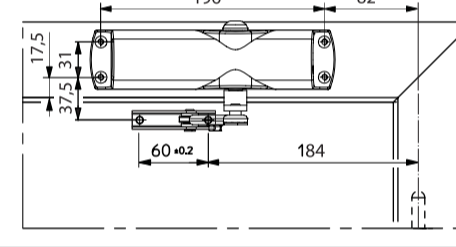
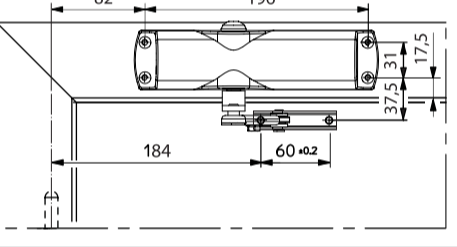
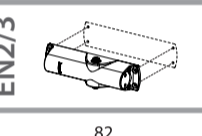
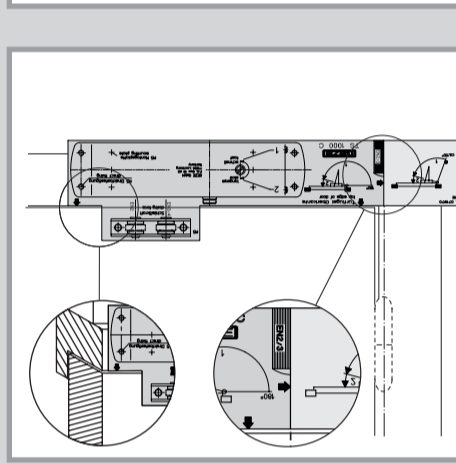
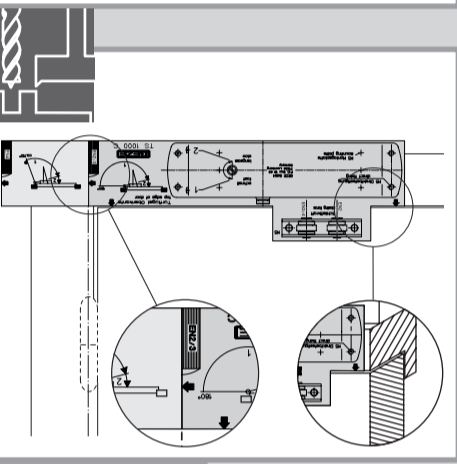
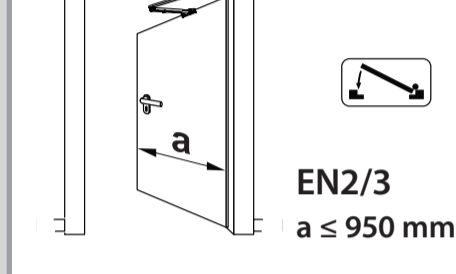
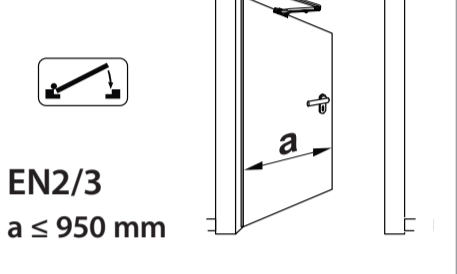
8



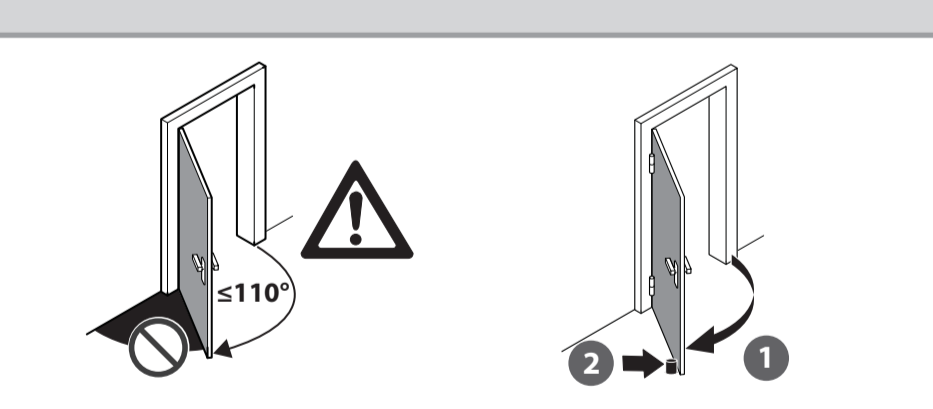
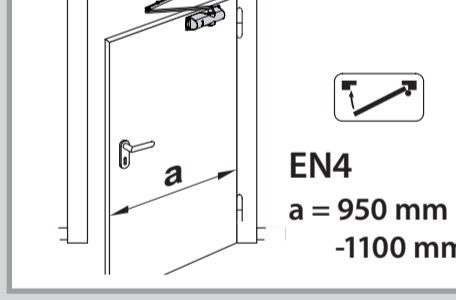
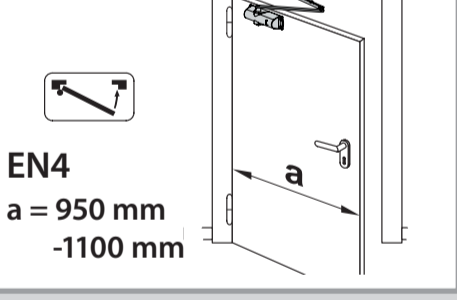
9



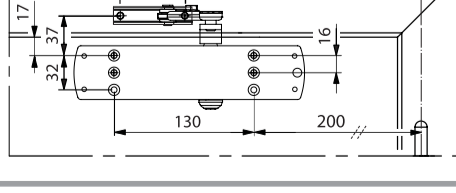
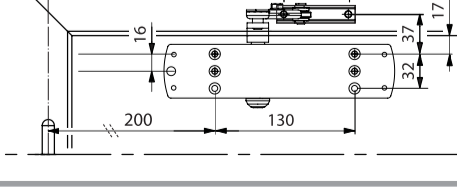
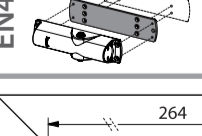
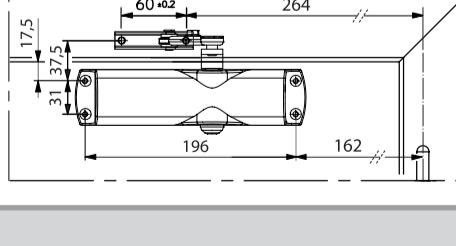
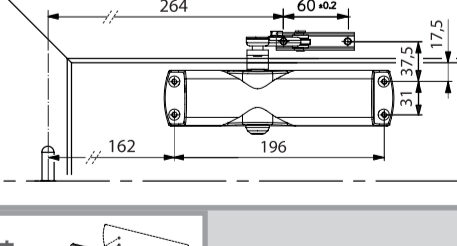
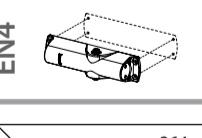
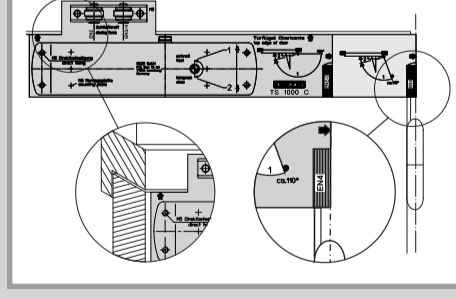
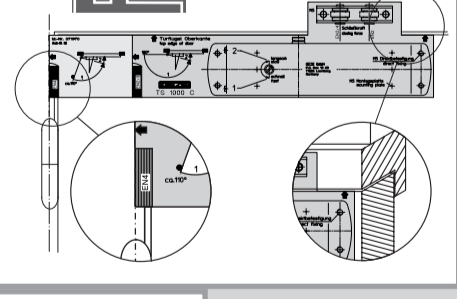
i



i



2



GEZE GmbH
 P.O.Box 1363
 Reinhold-Vöster-Straße 21-29
 71229 Leonberg
 Germany

Tel.: 0049 7152 203-0
 Fax: 0049 7152 203-310
www.geze.com

101833-04

