

TS 1500 G

101829-03



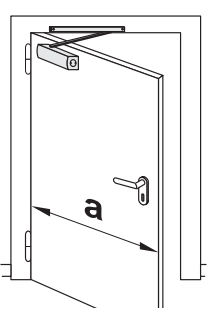
GEZE



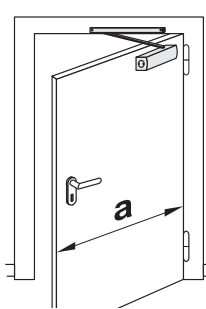
A

B

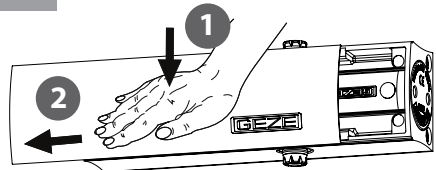
EN1
a ≤ 750 mm



EN1
a ≤ 750 mm



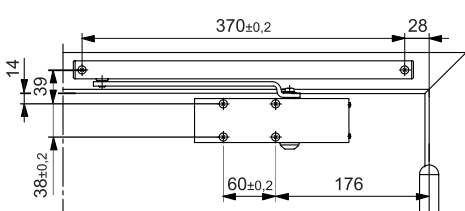
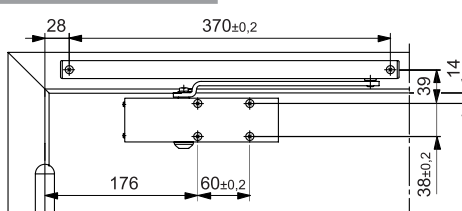
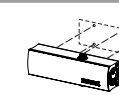
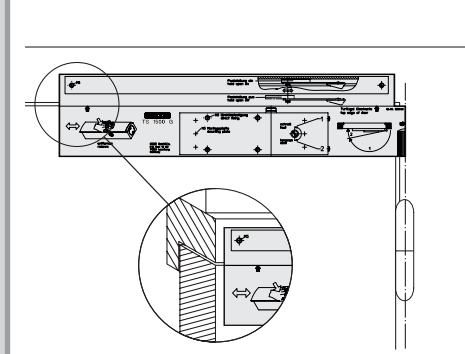
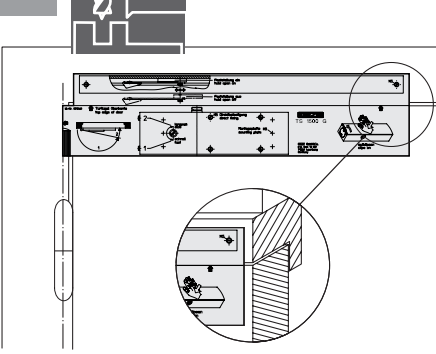
1



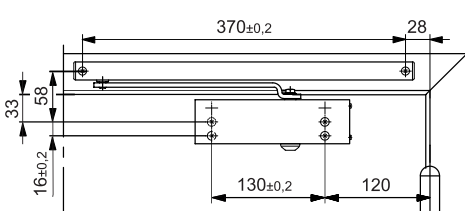
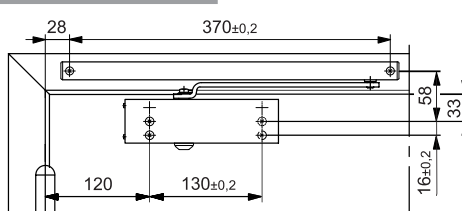
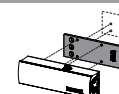
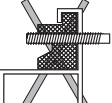
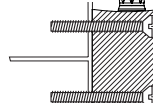
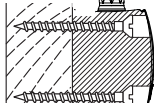
i

CE	GEZE GmbH P.O. Box 1363 71226 Leonberg	11
	0672-CPD-0120	EN 1154 4 8 4/3 1 1 3
Substanz: ----		

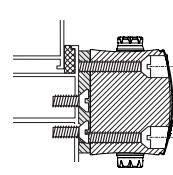
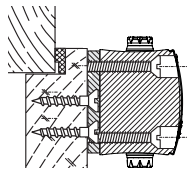
2



4x
5x52
4x
M5x42

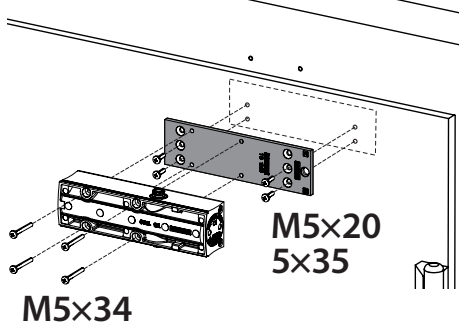
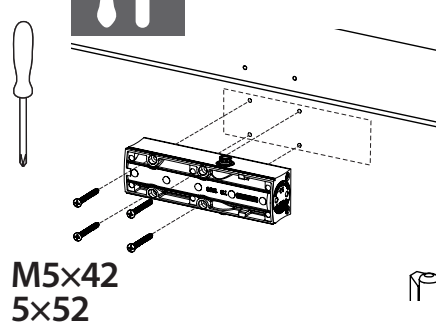


4x
5x35
4x
M5x20



4x
M5x34

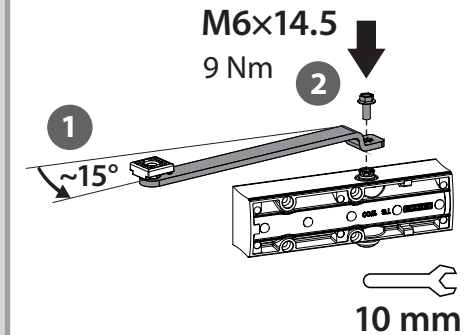
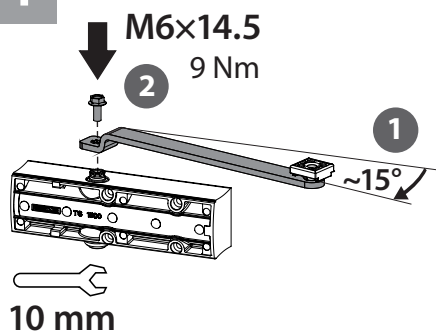
3



M5x42
5x52

M5x34
5x35

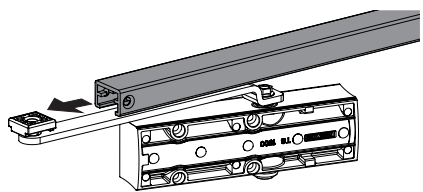
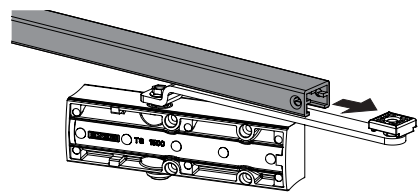
4



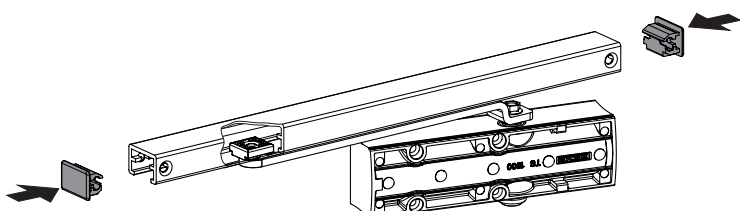
10 mm

10 mm

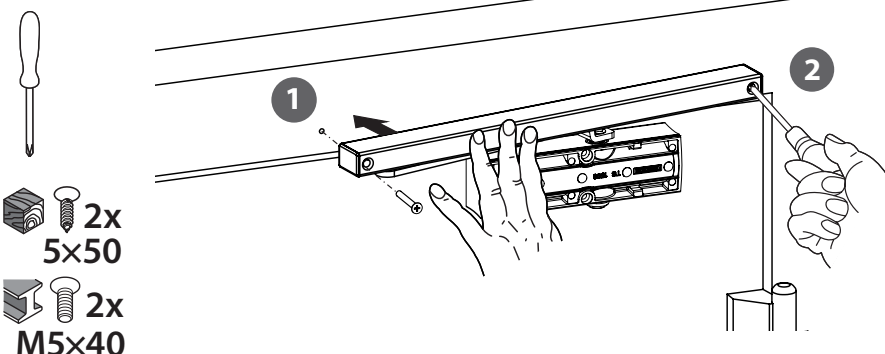
5



6



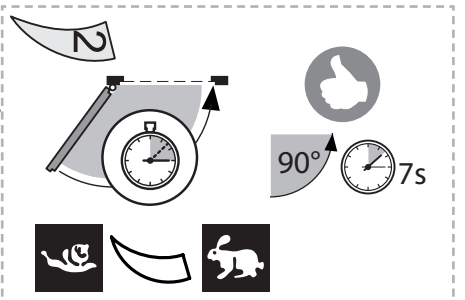
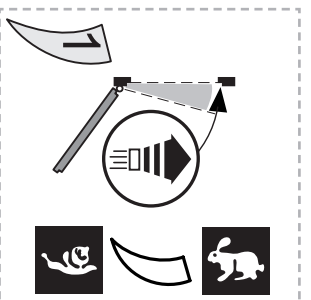
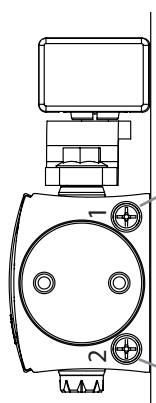
7



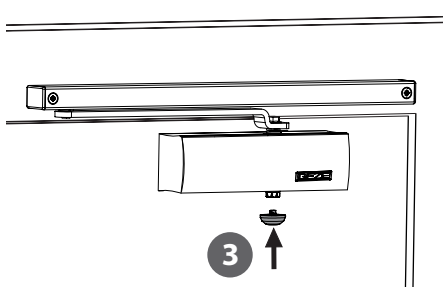
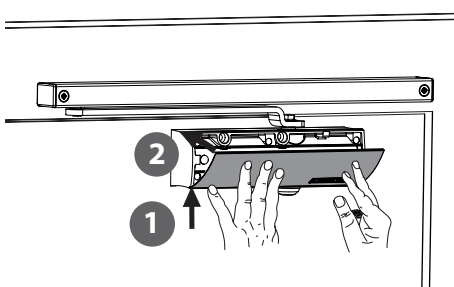
2x
5x50

2x
M5x40

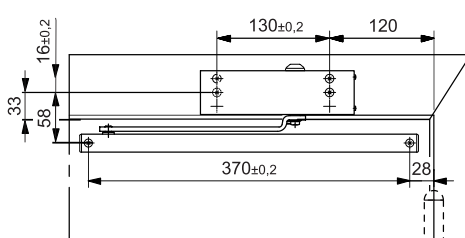
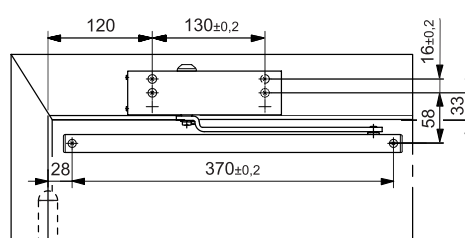
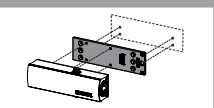
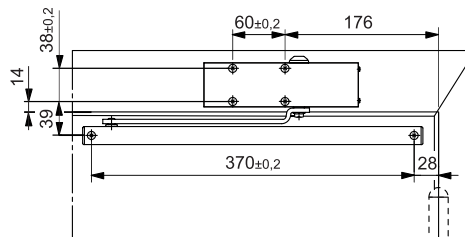
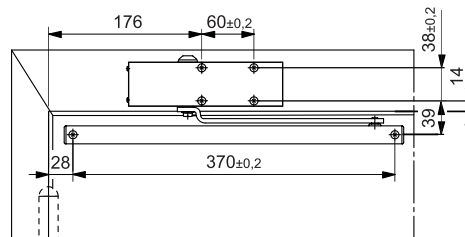
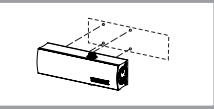
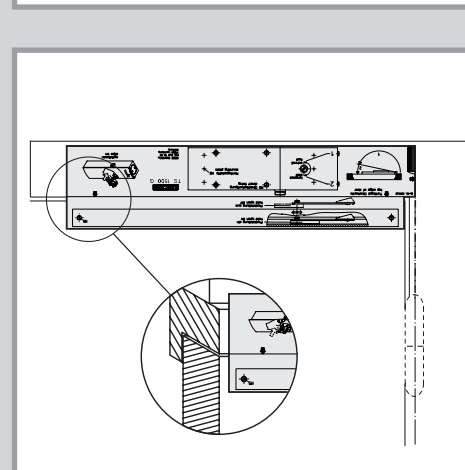
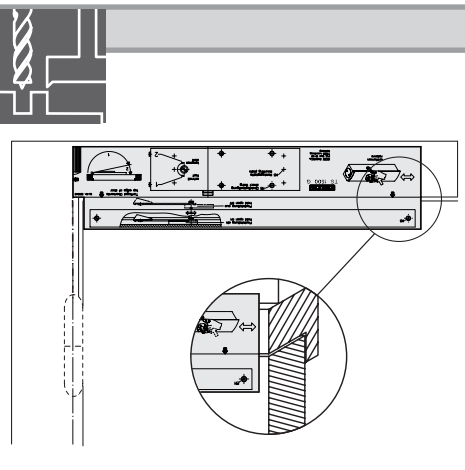
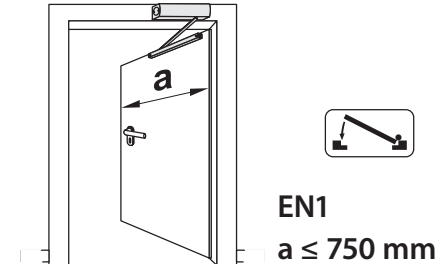
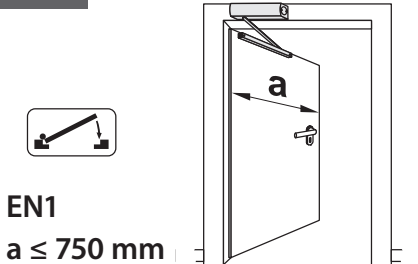
8



9



i



GEZE GmbH
 P.O.Box 1363
 Reinhold-Vöster-Straße 21-29
 71229 Leonberg
 Germany

Tel.: 0049 7152 203-0
 Fax: 0049 7152 203-310
www.geze.com

101829-03

